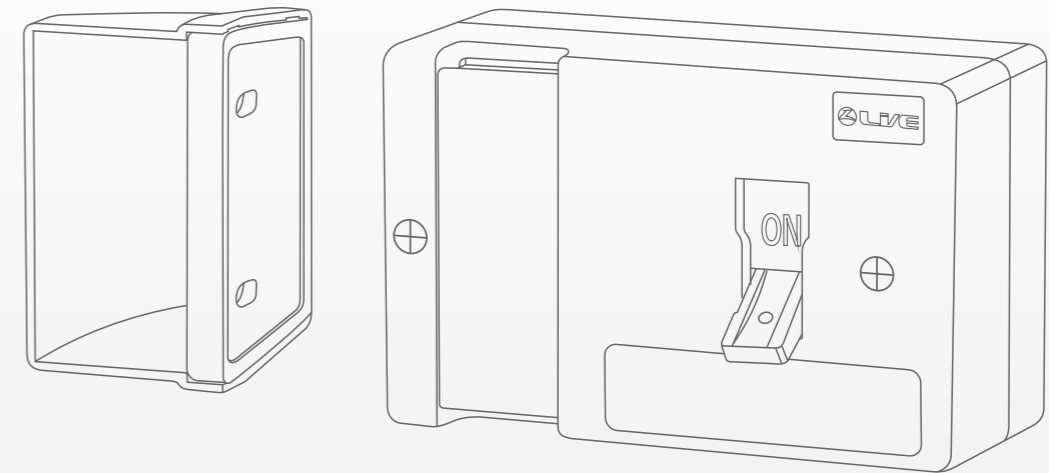


© Product installation and operation guide



Fused Main Switch Specification



LIVE ELECTRICAL DISTRIBUTION UK LTD

ADD: Unit 4, Queensmead Place, Trafford Park, Manchester, M17 1PH

Tel: 0161 870 2592 Web: www.liveelectrical.co.uk

E-mail: sales@liveelectrical.co.uk



Ensure that these instructions are made available to the end user for future reference.

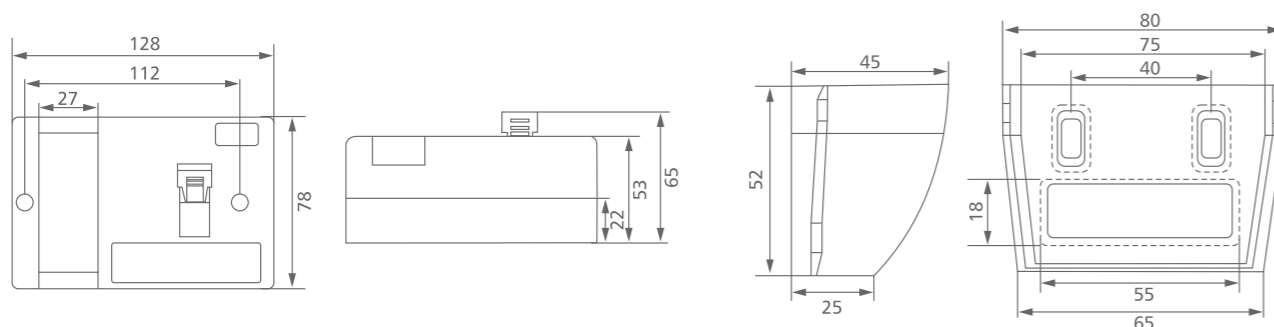
Fused Main Switch Instruction



Unit Dimension

Part No.	Description	Box Qty
LFIS100	100A Switch Fuse c/w 80A & 100A Fuse and Shroud	30

FUSE SWITCH Dimension



General information

- This Unit must be installed by a qualified electrician in accordance with the latest edition of IET wiring Regulations for Electrical Installations (BS7671).
- The FUSED SWITCH and FUSES have been tested to the following specifications:
FUSE SWITCH BSEN60947-3
FUSES(gG) IEC60269-2

Component terminals

Maximum cable capacity 35mm²

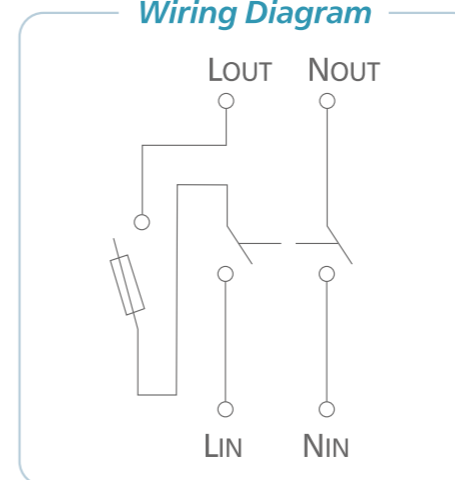
Installation Guide

- Ensure red/black toggle in the OFF position
- Loosen 2 screws which hold front cover in place
- Lift off front cover
- Fix FUSE SWITCH securely to wall with 3 screws, taking care not to cover tighten
- Offer up cable shroud if required to protect surface cables, extra cable shroud can be ordered if required
- Fix cable duct to wall using 2 screws
- Cut and dress MAINS IN cables to bottom terminals (L SUPPLY N SUPPLY) which are covered by red/black shroud.
- Connect LOAD to top terminals as Marked (L LOAD N LOAD)
- Refit cover to FUSE SWITCH
- Select correct fuse for installation

Testing of the Installation

After completion of the installation, it is essential that it is tested in accordance with the latest edition of the IET Wiring Regulations for Electrical Installations (BS 7671)

Wiring Diagram



**Before fitting the front cover,
check all connections are tight**

**USER GUIDE MUST BE LEFT WITH THE UNIT FOR
FUTURE REFERENCE**

Notes:

After installation and testing of this product it is essential that the INSTRUCTION LEAFLET is available for reference.